

38449-PL

Pair Chassis Mount XT60HE Male & Female Connectors

Chassis mount 60A Power Connectors for RC Models.
1 each Amass Style XT60HE-M (male) & -F (Female) connector.

Pins: Gold Plated Brass

Body: PA nylon (polyamide)

Continuous Current: 30A Max

Instantaneous Current: 60A

Max Voltage: 500V

Initial Resistance: ~.55m Ohms

Connections: Solder Cup

Wire: 12AWG

Operating Temp: -20°C to 120°C

Includes Mounting Screws

Male:

W: 27.1mm **H:** 12.1mm **D:** 16.7mm

Female:

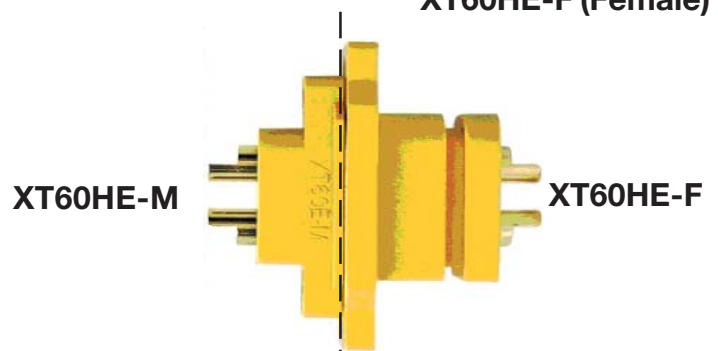
W: 35.0mm **H:** 15.8mm **D:** 20.1mm

WT: .04/pair



XT60HE-M (Male)

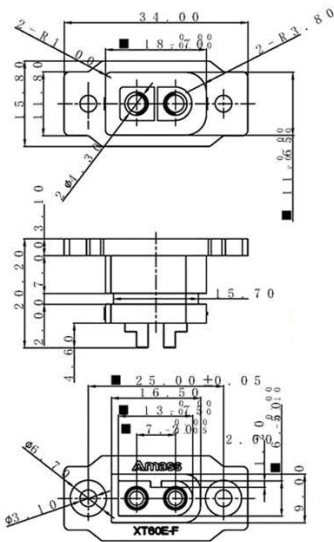
XT60HE-F (Female)



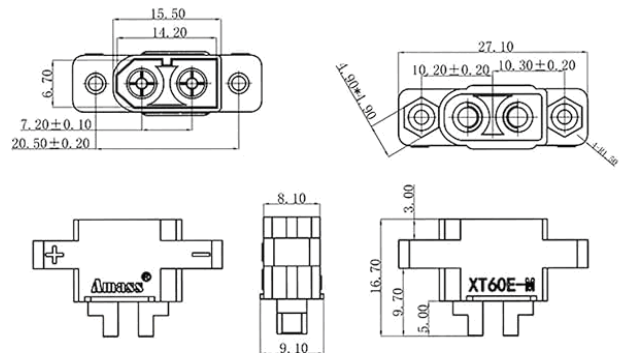
XT60HE-M

XT60HE-F

XT60HE-M&F Mated



XT60HE-F (Female)



XT60HE-M (Male)

Information including Drawings, Schematics, Links and Code (Software) Supplied or Referenced in this Document is supplied by MPJA inc. as a service to our customers and accuracy or usefulness is not guaranteed nor is it an Endorsement of any particular part, supplier or manufacturer. Use of information and suitability for any application is at users own discretion and user assumes all risk.

Information Subject to Change Without Notice

All rights are retained by the respective Owners/Author(s)



MARLIN P. JONES & ASSOC., INC.

8380 Resource Rd. West Palm Beach, FL 33404

800-652-6733 FAX 561-844-8764

WWW.MPJA.COM